



GLASS EMBEDDING  
SAFE AND FAST GLASS  
EMBEDDING SOLUTION FOR  
GLASS BALUSTRADES

**BUILDING TRUST**



# GLASS EMBEDDING FOR TOTAL VISION GLAZING

**MODERN ARCHITECTURE IS GLASS ARCHITECTURE.** Light-flooded spaces and transparency in the buildings as well as outwards are the mirror of our present society, which is becoming more and more transparent through the digitalization. This transparency is not to be interrupted by the balconies. This is why glass balconies are increasingly being used. When it comes to connecting glass to the frame, Sika has always a suitable and economical solution.

For total vision glazing and glass balustrades, ideally the glass panes should be fixed to the floor with low punctual stress transfer to the glass. Especially as tempered and safety glass are normally used. With SikaGlaze® GG-735 the bottom glass edge is embedded in standard U-profiles, and loads are securely transferred through the glass elements thus results in uniform stress distribution. SikaGlaze® GG-735 create a strong and real flexible fastening solution capable of withstanding highest static and impact load requirements and is ideal for horizontal glass wall grouting jobs. In addition Sika offers SikaForce®-7720 L45 for stairs and inclined glass railings that offers equal application and mechanical benefits.

The Installation of the glass panes is very simple and be easily removed and replaced in the event of repair work.

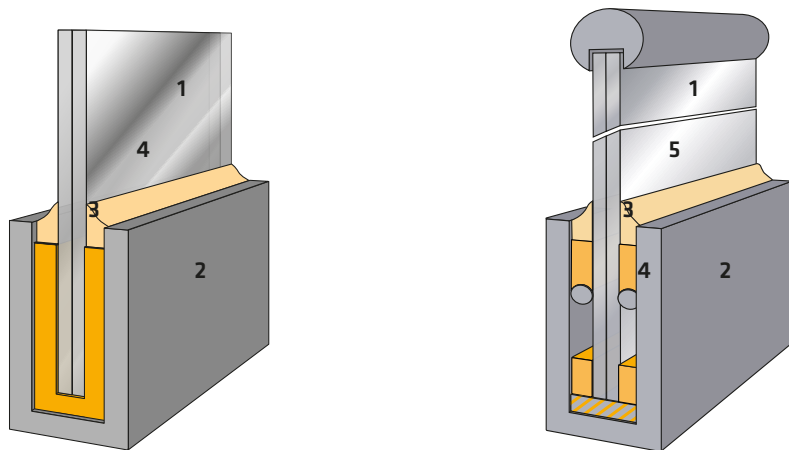
## BENEFITS

- Stress-free embedding of glass balustrades
- Compatible and durable solution
- Fast installation
- Use of standard U-profiles
- Minimal planning and preparation work required



# THE PRODUCTS FOR SAFE AND FAST GLASS EMBEDDING

**WHAT MADE US CHOOSE THE BEST TECHNOLOGY FOR GLASS EMBEDDING?** It's the mechanics and the workability which makes the difference to the alternatives offered on the market. The Sika products for glass embedding offer just enough flexibility to take up some movement created by temperature. On the opposite, enough stiffness so the balustrade cannot wiggle. At the same time, the application of the products is very simple and therefore also very economical. To prove that, SikaGlaze® GG-735 and SikaForce®-7710 L35 have National Test Certificates in accordance with the Technical Regulations for the Use of Safety Barrier Glazing (TRAV) which is an external evaluation report. The PU embedding is protected against weathering by SikaHyflex® silicone sealants .



- 1 Glass Balustrade
- 2 Metallic Clamped Support
- 3 SikaGlaze® GG-735
- 4 SikaHyflex®

- 1 Glass Balustrade
- 2 Metallic Clamped Support
- 3 SikaForce® 7720 L45
- 4 Backer Rod
- 5 SikaHyflex®

	SikaGlaze® GG-735	SikaForce®-7720 L45
<b>Base</b>	Two component polyurethane	Two component polyurethane
<b>Open time</b>	35 min	35 min
<b>Shore D</b>	80	80
<b>Viscosity mixed</b>	10 Pas for horizontal application	200 Pas for stairs and inclined glass railings
<b>Compatible with laminated glass</b>	Yes	Yes
<b>Test certificate</b>	Pendulum impact test according to TRAV - rules for safety glass barrier  P-2016-3047	Pendulum impact test according to TRAV - rules for safety glass barrier
<b>Packaging</b>	Component A Can 5 kg, Pail 25 kg Component B Can 1kg, Pail 20kg	Dual cartridge 415 ml (635 g) with static mixer

# GLOBAL BUT LOCAL PARTNERSHIP



For more literature about Sika Facade and Fenestration solutions browse:

[www.sika.com/ffi-downloads](http://www.sika.com/ffi-downloads)

## FOR MORE INFORMATION:



[www.sika.com/ses](http://www.sika.com/ses)

### WHO WE ARE

Sika is a specialty chemicals company with a leading position in the development and production of systems and products for bonding, sealing, damping, reinforcing and protecting in the building sector and the motor vehicle industry. Sika has subsidiaries in 93 countries around the world and manufactures in over 170 factories. Its more than 17,000 employees generated annual sales of CHF 5,49 billion in 2015.

Our most current General Sales Conditions shall apply.

Please consult the Data Sheet prior to any use and processing.



### TECHNICAL SERVICE

Sika Services AG  
FFI Competence Centre  
Tueffenwies 16  
CH-8048 Zurich  
Phone +41 58 436 5287  
Fax +41 58 436 5407  
[it-ses-admin@it.sika.com](mailto:it-ses-admin@it.sika.com)

### SIKA SERVICES AG

Tueffenwies 16  
CH-8048 Zurich  
Switzerland

**BUILDING TRUST**

