



GLASS EMBEDDING
SAFE AND FAST GLASS
EMBEDDING SOLUTION FOR
GLASS BALUSTRADES

BUILDING TRUST



GLASS EMBEDDING FOR TOTAL VISION GLAZING

MODERN ARCHITECTURE IS GLASS ARCHITECTURE. Light-flooded spaces and transparency in buildings as well as outside are the mirror of our present society, which is becoming more and more transparent through digitalization. This transparency is not to be interrupted by the balconies. This is why glass balconies have become an architectural trend. When it comes to connecting glass to the frame, Sika always has a suitable and economical solution.

For total vision glazing and glass balustrades, ideally the glass panes should be fixed to the floor with minimal punctual stress transfer to the glass panes, mainly made of tempered laminated safety glass. With SikaGlaze® GG-735 the bottom glass edge is embedded in standard U-profiles. The loads are securely transferred through the glass elements resulting in uniform stress distribution. SikaGlaze® GG-735 creates a strong and but flexible fastening solution capable of withstanding highest static and impact loads. It is ideal for horizontal glass wall grouting jobs. In addition, Sika offers the non-sagging SikaForce®-7720 L45 with the same mechanical benefits for stairs and inclined glass railings. The installation of the glass panes is uniquely simple and can easily be removed and replaced in the event of repair work.

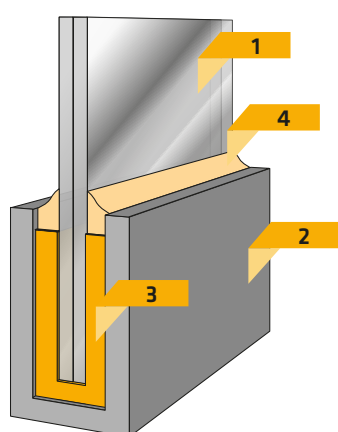
BENEFITS

- Stress-free embedding of glass balustrades
- Compatible and durable solution
- Fast installation
- Use of standard U-profiles
- Minimal planning and preparation work required

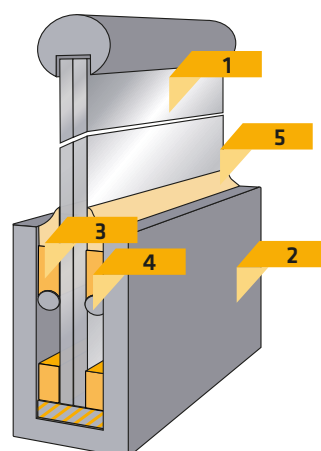


THE PRODUCTS FOR SAFE AND FAST GLASS EMBEDDING

WHAT MADE US CHOOSE THE BEST TECHNOLOGY FOR GLASS EMBEDDING? It is the mechanics and the workability which makes the difference to the alternatives offered in the market. The Sika products for glass embedding offer just enough flexibility to take up some movement created by impact or thermal dilatation. On the other hand, their stiffness avoid wiggling of the balustrade. To prove that, SikaGlaze® GG-735 and SikaForce®-7720 L45 are certified complying with the technical regulations for the use of Safety Barrier Glazing (TRAV) which is a third party evaluation report. At the same time, the application of the products is very simple and therefore also very economical. In exterior applications the PU embedding is protected against weathering by SikaHyflex® silicone sealants.



- 1 Glass Balustrade
- 2 Metallic Clamped Support
- 3 SikaGlaze® GG-735
- 4 SikaHyflex®



- 1 Glass Balustrade
- 2 Metallic Clamped Support
- 3 SikaForce®-7720 L45
- 4 Backer Rod
- 5 SikaHyflex®

	SikaGlaze® GG-735	SikaForce®-7720 L45
Base	Two component polyurethane	Two component polyurethane
Open time	35 min	60 min
Shore D	80	80
Viscosity mixed	10 Pas for horizontal application	200 Pas for stairs and inclined glass railings
Compatible with laminated glass	Yes	Yes
Test certificate	Pendulum impact test according to TRAV - rules for safety glass barrier P-2016-3047	Pendulum impact test according to TRAV - rules for safety glass barrier P-2017-3040
Packaging	Component A Can 5 kg, Pail 25 kg Component B Can 1 kg, Pail 20 kg	Dual cartridge 415 ml (635 g) with static mixer

GLOBAL BUT LOCAL PARTNERSHIP



For more literature about Sika Facade and Fenestration solutions browse:

www.sika.com/ffi-downloads

FOR MORE INFORMATION:



www.sika.com/ses

WHO WE ARE

Sika is a specialty chemicals company with a leading position in the development and production of systems and products for bonding, sealing, damping, reinforcing and protecting in the building sector and the motor vehicle industry. Sika has subsidiaries in 93 countries around the world and manufactures in over 170 factories. Its more than 17,000 employees generated annual sales of CHF 5,49 billion in 2015.

Our most current General Sales Conditions shall apply.
Please consult the Data Sheet prior to any use and processing.



TECHNICAL SERVICE

Sika Services AG
FFI Competence Centre
Tueffenwies 16
CH-8048 Zurich
Phone +41 58 436 5287
Fax +41 58 436 5407
it-ses-admin@it.sika.com

SIKA SERVICES AG

Tueffenwies 16
CH-8048 Zurich
Switzerland

BUILDING TRUST

