

Sikacryl®-620 Fire

YTELSESERKLÆRING

Nr. 12725641

1	PRODUKTYPENS ENTYDIGE IDENTIFIKASJONSKODE:	12725641
2	TILSIKTET BRUKSOMRÅDE:	ETAG 026:2011 / ETA 14/0473:2014 Fire Stopping and Sealing Product, Linear joint and Gap Seal to reinstate the fire resistance performance of gaps and joints between rigid wall constructions, gaps in joints between rigid floor constructions
3	FABRIKANT:	Sika Services AG Tüffenwies 16-22 8064 Zürich
4	OPPNEVNT REPRESENTANT:	
5	SYSTEM FOR VURDERING OG KONTROLL AV YTEEVNE:	System 1
6b	EUROPEISK BEDØMMELSESDOKUMENT:	ETAG 026:2011 / ETA 14/0473:2014
	Europeisk teknisk bedømmelse:	ETAG 026:2011 / ETA 14/0473:2014
	Teknisk bedømmelsesorgan:	Exova (UK) Limited trading as Warrington Certification
	Tekniske kontrollorgan:	1121

Declaration of Performance

Sikacryl®-620 Fire
12725641
2020.07 , ver. 02
1213

7 ANGITT YTELSE

Essential Characteristics	Performance	AVCP	Harmonised Technical Specification
Mechanical resistance and stability	Not relevant	System 1	
Safety in case of fire	See Clause 3.1	System 1	
Reaction to fire	Class F	System 1	
Resistance to fire	See Clause 3.2 & Annex C	System 1	
Air permeability	See Clause 3.3	System 1	
Water permeability	NPD	System 1	
Dangerous substances	See Clause 3.5	System 1	ETAG
Mechanical resistance and stability	NPD	System 1	026:2011 /
Resistance to impact/movement	NPD	System 1	ETA
Adhesion	NPD	System 1	14/0473:2014
Protection against noise	NPD	System 1	
Airborne sound insulation	Rw(C,C _{tr})=38 (-2;7)	System 1	
Thermal properties	NPD	System 1	
Water vapor permeability	NPD	System 1	
Durability and serviceability	Z1 See Clause 3.5	System 1	

3.1 Reaction to fire

System Sikacryl®-620 Fire is classified 'F' in accordance with EN 13501-1.

3.2 Resistance to fire

System Sikacryl®-620 Fire has been tested in accordance with BS EN 1366-4: 2006 based upon the test results and the field of direct application specified within EN 1366-4: 2006, the system Sikacryl®-620 Fire has been classified in accordance with EN 13501-2, as given in Annex C

The seals may only be used in the elements of construction described in Annex C and against the substrates described in Annex C.

Provisions shall be taken such that floor joint seals cannot be stepped on e.g. by covering with wire mesh or floor finishes.

Declaration of Performance

Sikacryl®-620 Fire
12725641
2020.07 , ver. 02
1213

3.3 Air permeability

System Sikacryl® -620 Fire has been tested in accordance with BS EN 1314-1 to provide the following results:

Pressure differential Pa	Air now through the Plain plasterboard specimen m ³ /h	Air flow through specimen with sealant m ³ /h
1	0.04	0.00
2	0.07	0.00
4	0.14	0.00
8	0.27	0.00
10	0.33	0.00
15	0.46	0.00
20	0.68	0.00
30	1.07	0.00
40	1.40	0.00
50	1.67	0.00
60	1.91	0.00
80	2.35	0.00
100	2.90	0.00

Table 3. Air permeability under positive air pressure on Indoor face

3.5 Dangerous substances

The applicant has presented a declaration that Sikacryl®-620 Fire does not contain any substance of high concern with regards to REACH Regulations and are compliant with the requirements reference to <http://ec.europa.eu/enterprise/construction/cpd-ds/index.dm>

Confirmation has further been declared that all dangerous chemical substances ≥ 1.0 % w/w as well as all toxic, carcinogenic, toxic for reproduction and mutagenic chemical substances ≥ 0.1 % w/w (Status: 29. adaption-2004/73/EG -of the EU directive 67/548/EEC- classification, packaging and labelling of dangerous substances) are stated in the Sikacryl®-620 Fire safety data sheets (according to 91/155/EEC including amendments) and have been considered for the classification of the products according to the directive 1999/45/EG (classification of preparations, including amendments).

All dangerous chemical substances are below the classification limits of 67/548/EEC

In addition to the specific clauses relating to dangerous substances contained in this European technical approval, there may be other requirements applicable to the products falling within its scope (e.g. transposed European legislation and national laws, regulations and administrative provisions). In order to meet the provisions of the Construction Products Regulation, these requirements need also to be complied with, when and where they apply

3.11 Durability and serviceability

Sikacryl®-620 Fire has been tested in accordance with EOTA Technical Report - TR024 - Edition November 2006, for the type Z 1 use category specified in ETAG 026-3 (used as European Assessment Document, EAD), and the results of the tests have demonstrated suitability for penetration seals intended for use in internal conditions with humidity equal to or higher than 85% RH excluding temperatures below 0°C, without exposure to rain or UV.

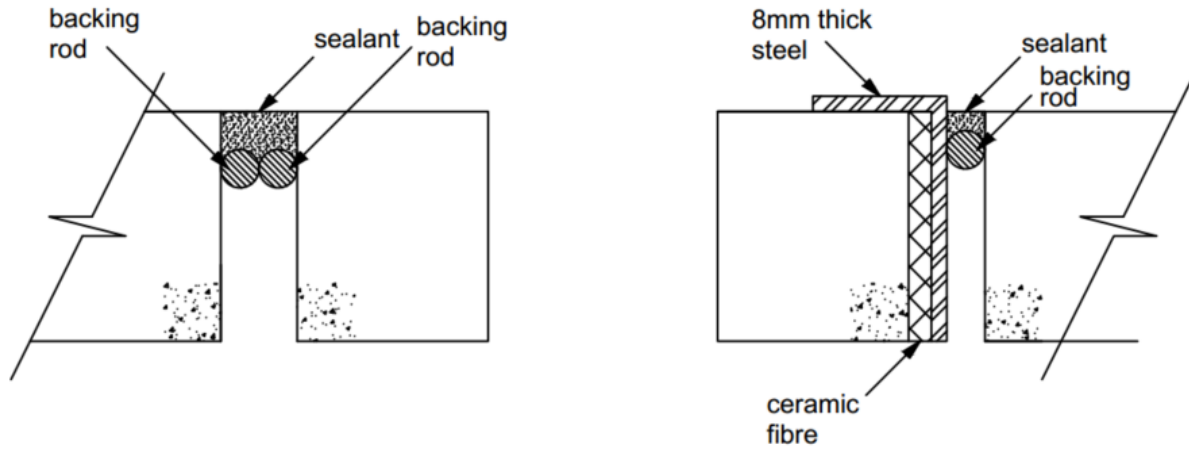
Declaration of Performance

Sikacryl®-620 Fire
12725641
2020.07 , ver. 02
1213

Annex C Resistance to Fire Classification of Sikacryl®-620 Fire

- C.1 Rigid floor constructions according to 1.2.1 with floor thickness of minimum 150 mm
- C.1.1. Linear joint or gap seal, horizontally orientated with sealant to the unexposed face

Construction details:



C.1.1.1

Sikacryl®-620 Fire Linear Joint Seals in Rigid Floors 150 mm thick (min.)-				
Depth Sealant	Backing	Substrates	Seal Orientation	Classification
2:1 Ratio 2= width 1= depth	PE Backing Rod	AAC-AAC	Unexposed face	E240 EI180 - H - X - F - W 12
				E240 EI120 - H - X - F - W 13-49
		AAC-Steel		E240 EI180 - H - X - F - W 50
				E240 EI60 - H - X - F - W 12
				E240 EI30 - H - X - F - W 13-50

AAC – Aerated concrete

Declaration of Performance

Sikacryl®-620 Fire
12725641
2020.07 , ver. 02
1213

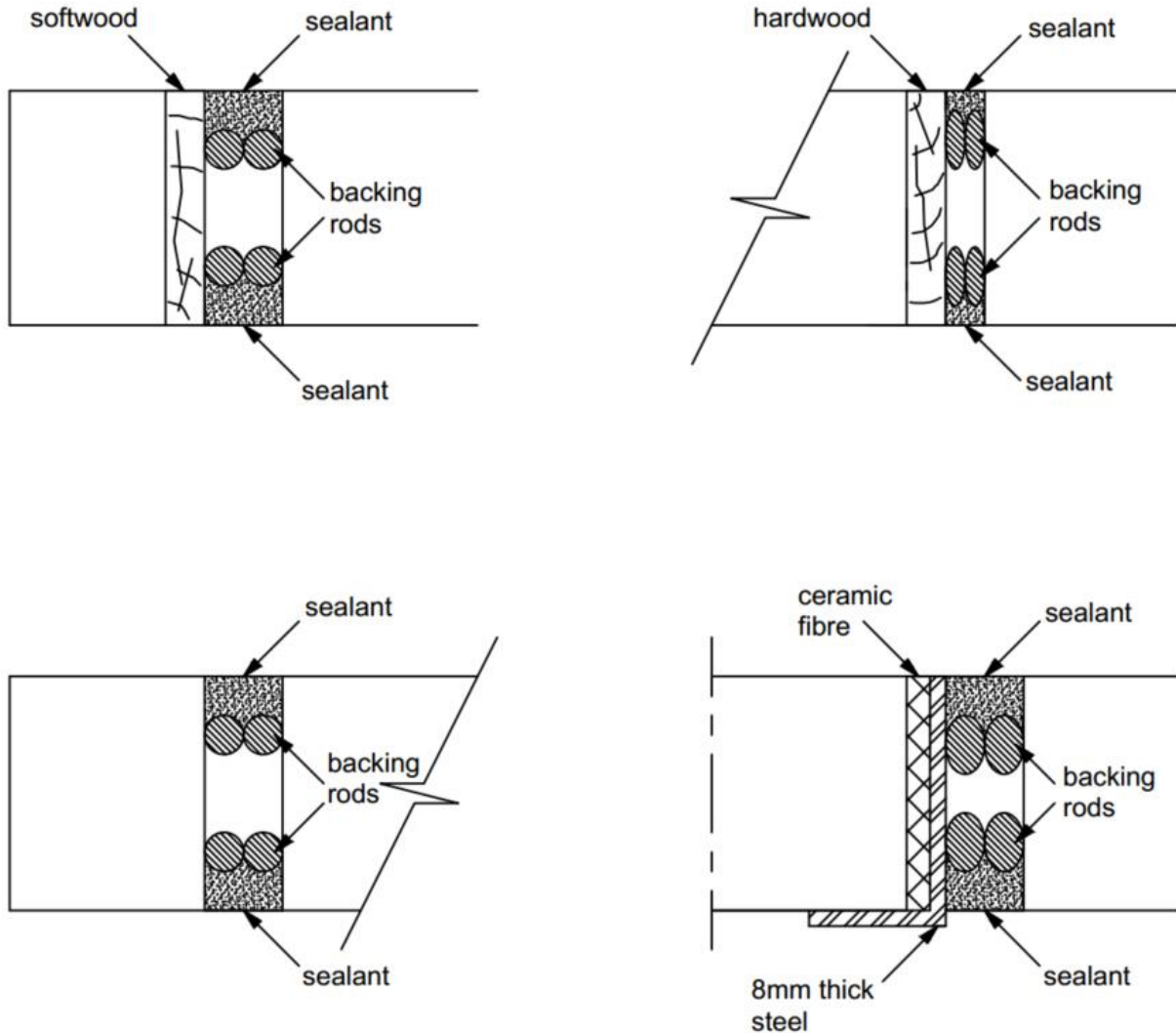
C.2 Rigid floor constructions according to 1.2.1 with wall thickness of minimum 150 mm

C.2.1 Linear joint or gap seal, vertically orientated with sealant to the unexposed and exposed face

Construction details:

Hardwood density: - minimum 680 kg/m³. Fixing centres 300mm

Softwood density: - minimum 410 kg/m³. Fixing centres 300mm



Declaration of Performance

Sikacryl®-620 Fire
12725641
2020.07 , ver. 02
1213

C.2.1.1

Sikacryl®-620 Fire Linear Joint Seals in Walls 150 mm thick (min.)				
Depth Sealant	Backing	Substrates	Seal orientation	Classification
2:1Ratio 2= width 1= depth	PE Backing Rod	AAC-AAC	Both faces	EI240 - V- X- F - W 50
				EI240 - V- X- F - W 13-50
		AAC-Softwood		E120 EI60 - V- X- F - W 12
				EI120- V- X- F- W 13-49
		AAC-Hardwood		EI180 - V- X- F - W 50
				EI120- V -X- F- W 12-49
				EI180-V-X- F-W 50
		AAC-Steel		E240 EI90- V- X- F- W 12
				E240 EI90 - V- X - F - W 13-49
				E240 EI120 - V- X- F- W 50

AAC – Aerated concrete

8 RELEVANT TEKNISK DOKUMENTASJON OG/ELLER SPESIFIKK TEKNISK DOKUMENTASJON

Ytelsen for varen som angitt i pkt. 1 og 2, er i samsvar med ytelsen angitt i pkt. 7. Denne ytelseserklæringen er utstedt i samsvar med forskrift (EU) nr. 305/2011 på eget ansvar av produsenten, som angitt i pkt. 3.

Undertegnet for og på vegne av produsenten av:

Navn: Ralph Spielmann
Funksjon: General Manager
Sika Norge AS
Sted Skjetten dato: 27. juli 2020

Navn : Ingrid Kalstad
Funksjon: Technical Manager -
Sealing & Bonding
Sted Skjetten dato: 27. juli 2020




Ovenstående informasjon i samsvar med krav i EU-forordning nr. 305/2011

Declaration of Performance

Sikacryl®-620 Fire
12725641
2020.07 , ver. 02
1213


RELATED DECLARATION OF PERFORMANCE

Product Name	Harmonised technical specification	DoP Number
Sikacryl®-620 Fire	EN 15651-1:2012	87039029
Sikacryl®-620 Fire	EN 15651-1:2012, ETAG 026 - part 3:2011	020514040000000491213

Declaration of Performance

Sikacryl®-620 Fire
12725641
2020.07 , ver. 02
1213

FULL CE MARKING

	
14	
Sika Services AG, Zurich, Switzerland	
DoP No. 12725641	
ETAG 026:2011 / ETA 14/0473:2014	
Notified Body 1121	
Fire Stopping and Sealing Product, Linear joint and Gap Seal to reinstate the fire resistance performance of gaps and joints between rigid wall constructions, gaps in joints between rigid floor constructions	
Safety in case of fire	See Clause 3.1
Reaction to fire	Class F
Resistance to fire	See Clause 3.2 & Annex C
Air permeability	See Clause 3.3
Dangerous substances	See Clause 3.5
Airborne sound insulation	Rw(C,C _{tr})=38 (-2;-9)
Durability and serviceability	Z1 See Clause 3.5

3.1 Reaction to fire

System Sikacryl®-620 Fire is classified 'F' in accordance with EN 13501-1.

3.2 Resistance to fire

System Sikacryl®-620 Fire has been tested in accordance with BS EN 1366-4: 2006 based upon the test results and the field of direct application specified within EN 1366-4: 2006, the system Sikacryl®-620 Fire has been classified in accordance with EN 13501-2, as given in Annex C

The seals may only be used in the elements of construction described in Annex C and against the substrates described in Annex C.

Provisions shall be taken such that floor joint seals cannot be stepped on e.g. by covering with wire mesh or floor finishes.

Declaration of Performance

Sikacryl®-620 Fire
12725641
2020.07 , ver. 02
1213

3.3 Air permeability

System Sikacryl®-620 Fire has been tested in accordance with BS EN 1314-1 to provide the following results:

Pressure differential Pa	Air now through the Plain plasterboard specimen m ³ /h	Air flow through specimen with sealant m ³ /h
1	0.04	0.00
2	0.07	0.00
4	0.14	0.00
8	0.27	0.00
10	0.33	0.00
15	0.46	0.00
20	0.68	0.00
30	1.07	0.00
40	1.40	0.00
50	1.67	0.00
60	1.91	0.00
80	2.35	0.00
100	2.90	0.00

Table 3. Air permeability under positive air pressure on Indoor face

3.5 Dangerous substances

The applicant has presented a declaration that Sikacryl®-620 Fire does not contain any substance of high concern with regards to REACH Regulations and are compliant with the requirements reference to <http://ec.europa.eu/enterprise/construction/cpd-ds/index.dm>

Confirmation has further been declared that all dangerous chemical substances ≥ 1.0 % w/w as well as all toxic, carcinogenic, toxic for reproduction and mutagenic chemical substances ≥ 0.1 % w/w (Status: 29. adaption-2004/73/EG -of the EU directive 67/548/EEC- classification, packaging and labelling of dangerous substances) are stated in the Sikacryl®-620 Fire safety data sheets (according to 91/155/EEC including amendments) and have been considered for the classification of the products according to the directive 1999/45/EG (classification of preparations, including amendments).

All dangerous chemical substances are below the classification limits of 67/548/EEC

In addition to the specific clauses relating to dangerous substances contained in this European technical approval, there may be other requirements applicable to the products falling within its scope (e.g. transposed European legislation and national laws, regulations and administrative provisions). In order to meet the provisions of the Construction Products Regulation, these requirements need also to be complied with, when and where they apply

3.11 Durability and serviceability

Sikacryl®-620 Fire has been tested in accordance with EOTA Technical Report - TR024 - Edition November 2006, for the type Z 1 use category specified in ETAG 026-3 (used as European Assessment Document, EAD), and the results of the tests have demonstrated suitability for penetration seals intended for use in internal conditions with humidity equal to or higher than 85% RH excluding temperatures below 0°C, without exposure to rain or UV.

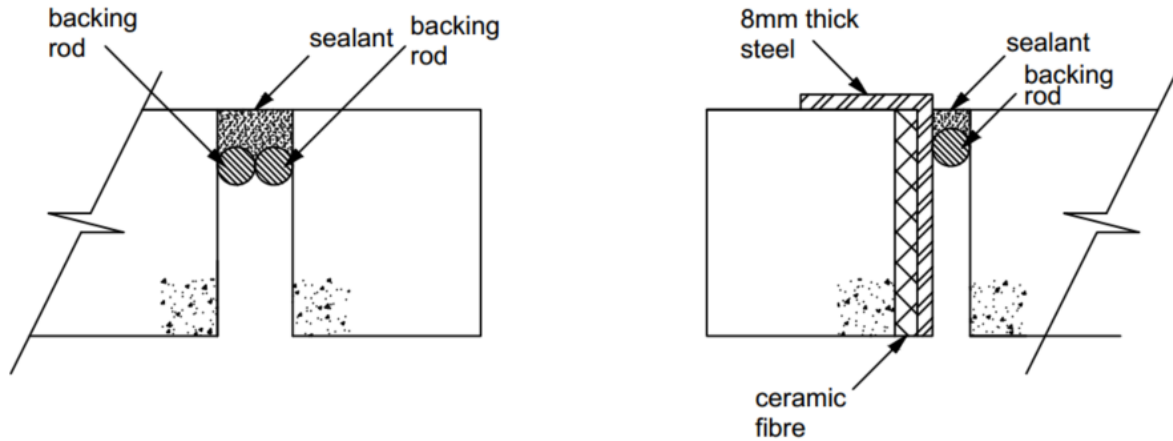
Declaration of Performance

Sikacryl®-620 Fire
12725641
2020.07 , ver. 02
1213

Annex C Resistance to Fire Classification of Sikacryl®-620 Fire

- C.1 Rigid floor constructions according to 1.2.1 with floor thickness of minimum 150 mm
- C.1.1. Linear joint or gap seal, horizontally orientated with sealant to the unexposed face

Construction details:



C.1.1.1

Sikacryl®-620 Fire Linear Joint Seals in Rigid Floors 150 mm thick (min.)-				
Depth Sealant	Backing	Substrates	Seal Orientation	Classification
2:1 Ratio 2= width 1= depth	PE Backing Rod	AAC-AAC	Unexposed face	E240 EI180 - H - X - F - W 12
				E240 EI120 - H - X - F - W 13-49
		AAC-Steel		E240 EI180 - H - X - F - W 50
				E240 EI60 - H - X - F - W 12
				E240 EI30 - H - X - F - W 13-50

C.2 Rigid floor constructions according to 1.2.1 with wall thickness of minimum 150 mm

C.2.1 Linear joint or gap seal, vertically orientated with sealant to the unexposed and exposed face

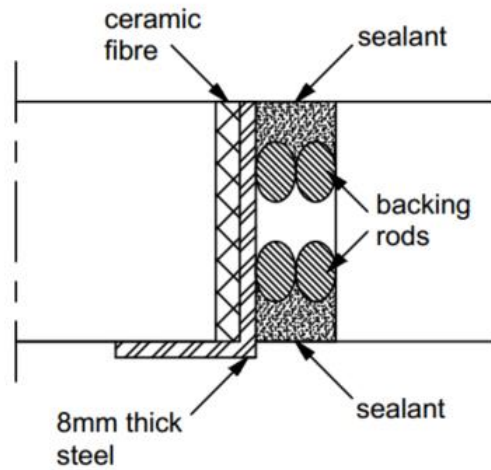
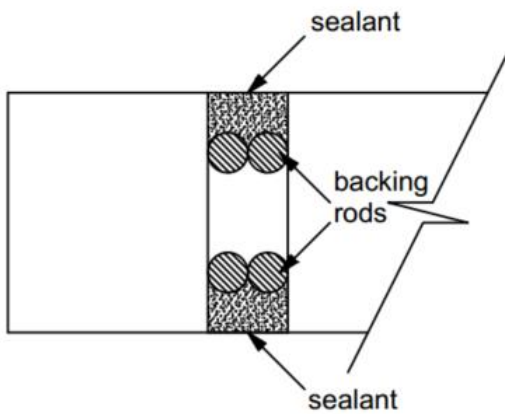
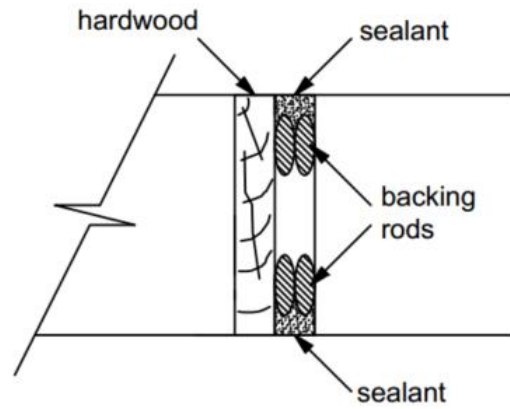
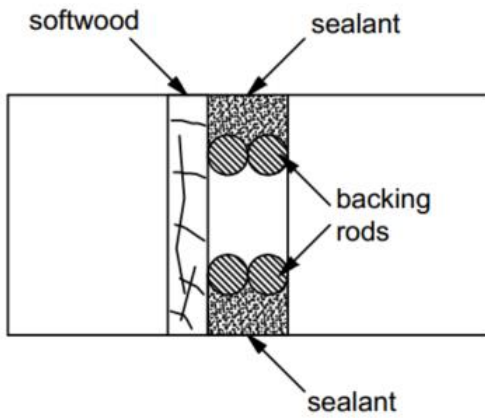
Construction details:

Hardwood density: - minimum 680 kg/m³. Fixing centres 300mm

Softwood density: - minimum 410 kg/m³. Fixing centres 300mm

Declaration of Performance

Sikacryl®-620 Fire
12725641
2020.07 , ver. 02
1213



C.2.1.1

Sikacryl®-620 Fire Linear Joint Seals in Walls 150 mm thick (min.)				
Depth Sealant	Backing	Substrates	Seal orientation	Classification
2:1Ratio 2= width 1= depth	PE Backing Rod	AAC-AAC	Both faces	EI240 - V- X- F - W 50
				EI240 - V- X- F - W 13-50
		AAC-Softwood		E120 EI60 - V- X- F - W 12
				EI120- V- X- F- W 13-49
		AAC-Hardwood		EI180 - V- X- F - W 50
				EI120- V -X- F- W 12-49
				EI180-V-X- F-W 50
		AAC-Steel		E240 EI90- V- X- F- W 12
				E240 EI90 - V- X- F - W 13-49
				E240 EI120 - V- X- F- W 50

<http://dop.sika.com>

Declaration of Performance
 Sikacryl®-620 Fire
 12725641
 2020.07 , ver. 02
 1213

CE marking to be placed on the label

 14
Sika Services AG, Zurich, Switzerland
DoP No. 12725641
ETAG 026:2011 / ETA 14/0473:2014
Notified Body 1121
Fire Stopping and Sealing Product, Linear joint and Gap Seal to reinstate the fire resistance performance of gaps and joints between rigid wall constructions, gaps in joints between rigid floor constructions
For details see accompanying documents.
http://dop.sika.com

HELSE, MILJØ OG SIKKERHETS INFORMASJON (REACH)

Brukere skal alltid forholde seg til sist oppdaterte versjon av produktdatablad og HMS-datablad for det aktuelle produktet. Kopier av gjeldende versjoner finnes på Sika Norges internettsider: www.sika.no.

PRODUKTANSVAR:

Denne informasjonen og i særdeleshet anbefalingene i forbindelse med anvendelse av Sika-produkter er gitt i god tro, basert på Sikas inneværende kunnskap og erfaring med produktene når de er riktig lagret, behandlet og anvendt under normale forhold. I praksis vil forskjellene i materialer, underlag og lokale forhold være av en slik karakter at verken denne informasjonen, andre skriftlige anbefalinger eller noen annen form for råd kan innebære noen garanti med hensyn til det bearbejdede produktets omsetnings-potensial eller egnethet for et bestemt formål, ei heller noen annen form for juridisk ansvar. Tredjeparts eiendomsrett må respekteres. Enhver ordre aksepteres i henhold til Sikas gjeldende salgs- og leverings-betingelser. Brukere skal alltid forholde seg til sist oppdaterte versjon av produktdatablad og HMS-datablad for det aktuelle produktet. Kopier av gjeldende versjoner finnes på Sika Norges internettsider.

Declaration of Performance

Sikacryl®-620 Fire
12725641
2020.07 , ver. 02
1213

Sika Norge AS
Sanitetsveien 1
2013, Skjetten
Norway
www.sika.no

Declaration of Performance
Sikacryl®-620 Fire
12725641
2020.07 , ver. 02
1213

13/13

BUILDING TRUST

